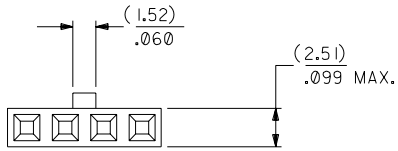


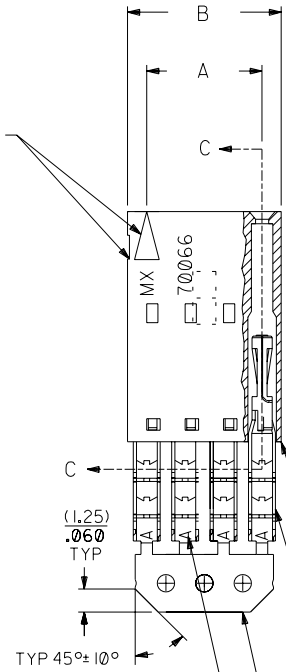
OPTION E



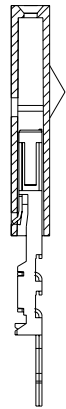
NOTES:

- 1) TO BE USED WITH (24) AWG. STRANDED WIRE WITH (1.35)/.053 DIA. MAX. INSULATION.
- 2) SEE CHART FOR CIRCUIT SIZES.
- 3) STANDARD PACKAGING PER PK-70400-0001. OPTIONAL PACKAGING MAY BE AVAILABLE, REQUEST DWG. PK-70400
- 4) PARTS STACKABLE END TO END ON (2.54)/.100 CENTERS.
- 5) REFER TO PRODUCT SPECIFICATION: PS-70400.
- 6) SEE DWG. SDA-70400-**** (SHT. 5) FOR OPTIONAL HOUSING DETAILS.
- 7) 4 CIRCUIT SHOWN.
- 8) TO MATE WITH MOLEX PART NO.'S.: A-70390-****, A-70392-****, A-70374-****, A-70376-****, A-70542-****, A-70552-****, A-70544-****, A-70554-****, A-70546-****, A-70556-****, A-70558-****.
- 9) 2 CIRCUIT ASSEMBLIES SUPPLIED AS GROUPED PAIRS.

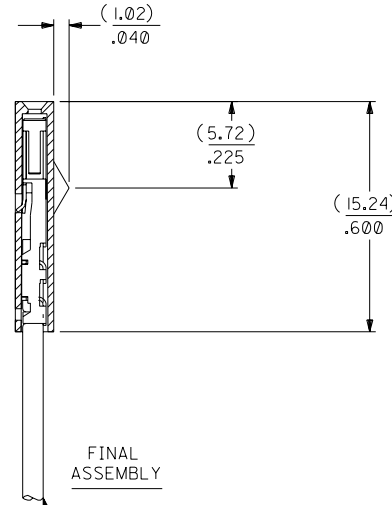
CIRCUIT NO. 1
SLOT OR ARROW



SECTION C-C



PRE-LOADED ASSEMBLY



FINAL ASSEMBLY

WIRE (SEE NOTE 1)

HOUSING PART NO. 70066-****
MATERIAL: G.F. POLYESTER, 94V-0

TERMINAL PART NO. 70028-****
MATERIAL: PHOSPHOR BRONZE
PLATING PER ES-88-***

TIN - .000150 MIN. TIN OVER
.000050 MIN. NICKEL PLATE.

I.D. SLOT CODE TO WIRE GAUGE CHART

I.D. SLOT CODE	WIRE GAUGE
A	24 AWG.

PLATING CODE (STRIPE ON CARRIER STRIP)

PLATING	COLOR
TIN	NONE

CKT. SIZE	DIMENSIONS (INCH)		EDP. NO.	ENG. NO.
	A	B		
2	(2.54) .100	(5.05) .199		
3	(5.08) .200	(7.59) .299		
4	(7.62) .300	(10.13) .399		
5	(10.16) .400	(12.67) .499		
6	(12.70) .500	(15.21) .599		
7	(15.24) .600	(17.75) .699		
8	(17.78) .700	(20.29) .799		
9	(20.32) .800	(22.83) .899		
10	(22.86) .900	(25.37) .999		
11	(25.54) 1.000	(27.91) 1.099		
12	(27.94) 1.100	(30.45) 1.199		
13	(30.48) 1.200	(32.99) 1.299		
14	(33.02) 1.300	(35.53) 1.399		
15	(35.56) 1.400	(38.07) 1.499		
16	(38.01) 1.500	(40.61) 1.599		
17	(40.64) 1.600	(43.15) 1.699		
18	(43.18) 1.700	(45.69) 1.799		
19	(45.72) 1.800	(48.23) 1.899		
20	(48.26) 1.900	(50.77) 1.999		
21	(50.80) 2.000	(53.31) 2.099		
22	(53.34) 2.100	(55.85) 2.199		
23	(55.88) 2.200	(58.39) 2.299		
24	(58.42) 2.300	(60.93) 2.399		
25	(60.96) 2.400	(63.47) 2.499		

*THE PRIMARY SHIPPING CARTON WILL BE LABELED "COMPLIANT TO ROHS DIRECTIVE 2002/95/EC AND ELV ANNEX II OF DIRECTIVE 2000/53/EC". CARTONS WITHOUT THIS LABEL MAY CONTAIN PRODUCT WITH LEAD.

DIMENSIONS SHOWN (METRIC) INCH UNLESS OTHERWISE SPECIFIED TOLERANCES: ANGULAR ± 1/2°		MFG. SH. REV.	
3 PLACE ± .010 --- 2 PLACE ± .014 ± 0.25 1 PLACE --- ± 0.35		REVISE ONLY ON CAD SYSTEM	
DRAFT WHERE APPLICABLE MUST REMAIN WITHIN DIMENSIONS		TITLE ASSEMBLY, SL CONNECTOR (SINGLE ROW- (2.54)/.100 GRID)	
DRWG. BY: [] CHK'D. BY: [] APP'D. BY: [] SCALE: 4:1		MOLEX INCORPORATED SHEET NO. [] DATE [] / [] / [] LITSE, ILL. 60532 U.S.A.	
L.T.R. REVISIONS L.T.R. REVISIONS		PART NO. [] DRWG. NO. []	
		FILE NAME [] THIS DRAWING CONTAINS INFORMATION THAT IS PROPRIETARY TO MOLEX INC. AND SHOULD NOT BE USED WITHOUT WRITTEN PERMISSION. DIV. DA SIZE C	

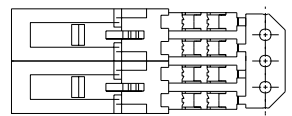
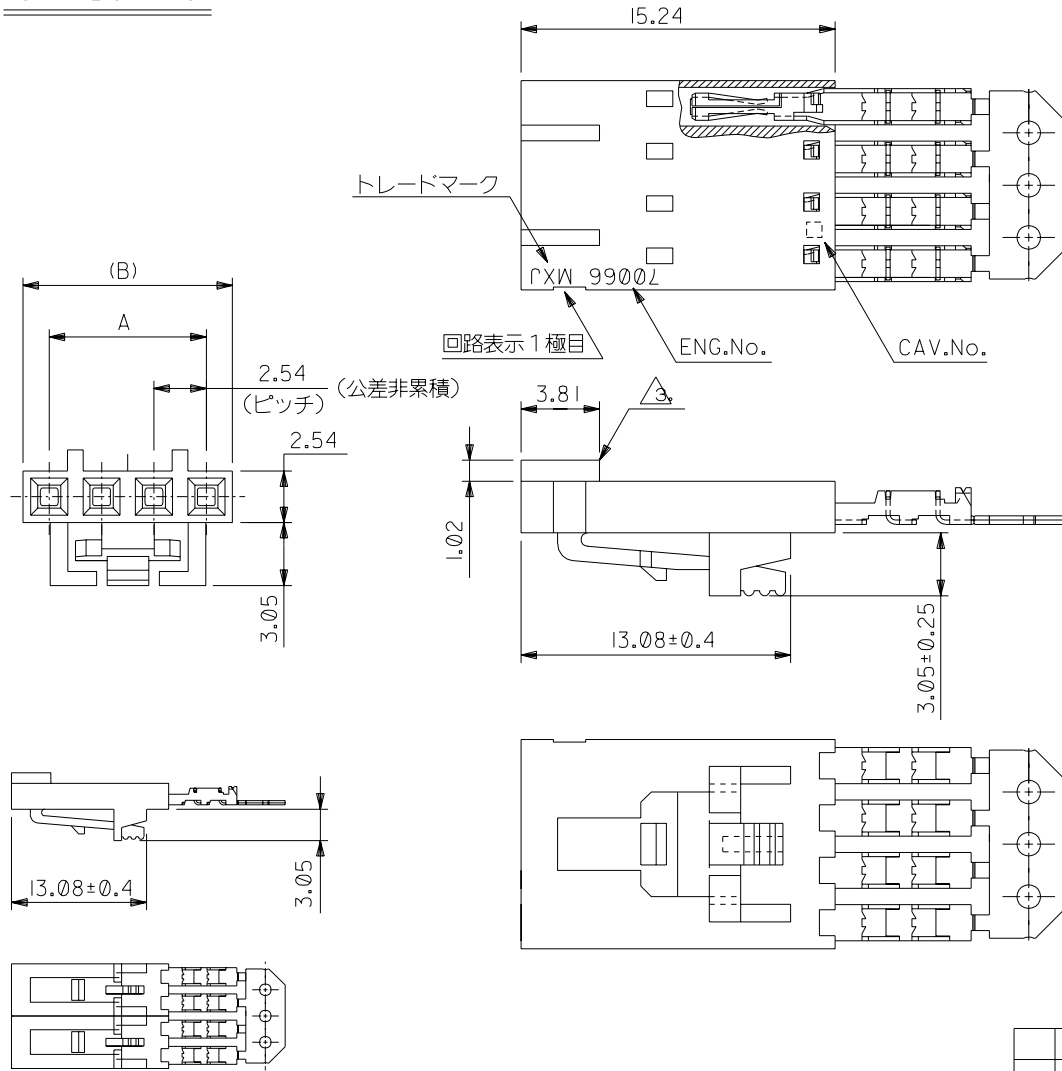
ENG. NO.
SD-70400-06**

EDP NO. #

ALL DIMENSIONS IN METRIC DO NOT SCALE DRAWING

0.1MM

OPTION G



2 極の場合
(SCALE:2-1)

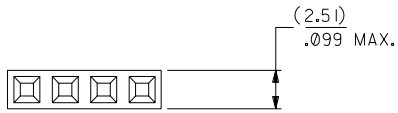
注記:

- 材料
ハウジング: ガラス入りポリエステル UL 94V-0
ターミナル: 燐青銅
- 仕上げ
接点部: 金メッキ 0.38 μm MIN.
圧接部: 錫メッキ 1.91 μm MIN.
下地メッキ: ニッケルメッキ 1.27 μm MIN.
- 極性リブは、2極及び3極の場合1箇所のみとする。
但し3極の場合のリブは、1極目と2極目の間とする。
- 適合オスコネクター: 70107-****, 70018-****
- 適合ヘッダー: 70389-****, 70391-****
- ハウジングの色: 黒

63.50	60.96	70400-0689	25
60.96	58.42	-0688	24
58.42	55.88	-0687	23
55.88	53.34	-0686	22
53.34	50.80	-0685	21
50.80	48.26	-0684	20
48.26	45.72	-0683	19
45.72	43.18	-0682	18
43.18	40.64	-0681	17
40.64	38.10	-0680	16
38.10	35.56	-0679	15
35.56	33.02	-0678	14
33.02	30.48	-0677	13
30.48	27.94	-0676	12
27.94	25.40	-0675	11
25.40	22.86	-0674	10
22.86	20.32	-0673	9
20.32	17.78	-0672	8
17.78	15.24	-0671	7
15.24	12.70	-0670	6
12.70	10.16	-0669	5
10.16	7.62	-0668	4
7.62	5.08	-0667	3
5.08	2.54	70400-0666	2
(B)	A	MATERIAL No.	極数

材料 MATERIAL		MOLEX-JAPAN CO.,LTD. 日本モレックス株式会社	
注記参照		EDP. NO. #	
C 変更 (J2004-4519)	M.S. 04/05/31	ENG. NO. SD-70400-06**	
B 変更 (T20159)	S.M. H.I. 92/5/20	REV C	
A 変更 (T90267)	H.H. M.S. 89/9/8	TITLE 名称 (OPTION G) SL 2.54 SINGLE ROW ASSEMBLY, FEMALE I.D. CONN. -LEAD FREE-	
0 新規作成 (T80231)	T.F. M.S. 88/11/17	DRAWN BY 11/17/87 CHK'D BY T.FURUHATA M.SASAO	
記号 変更内容 REVISION RECORD	DR. 日付 DATE	APP'D BY S.YAMADA 尺度 SCALE 4-1	
一般公差 GENERAL TOLERANCES	REVISION RECORD	REVISION RECORD	

OPTION A

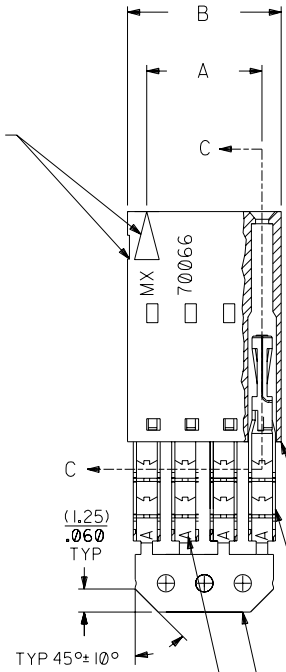


NOTES:

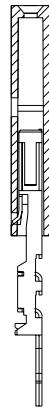
- 1) TO BE USED WITH (24) AWG. STRANDED WIRE WITH (1.35)/.053 DIA. MAX. INSULATION.
- 2) SEE CHART FOR CIRCUIT SIZES.
- 3) STANDARD PACKAGING PER PK-70873-0001. OPTIONAL PACKAGING MAY BE AVAILABLE, REQUEST DWG. PK-70400
- 4) PARTS STACKABLE END TO END AND SIDE BY SIDE ON (2.54)/.100 CENTERS.
- 5) REFER TO PRODUCT SPECIFICATION: PS-70400.
- 6) SEE DWG. SDA-70400-**** (SHT. 5) FOR OPTIONAL HOUSING DETAILS.
- 7) 4 CIRCUIT SHOWN.
- 8) TO MATE WITH MOLEX (2.54)/.100 CENTERLINE HEADERS.

9) 2 CIRCUIT ASSEMBLIES SUPPLIED AS GROUPED PAIRS.

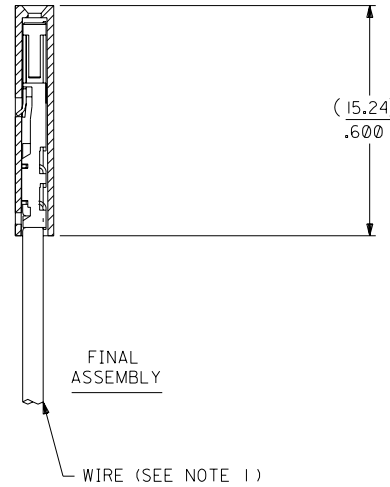
CIRCUIT NO. 1
SLOT OR ARROW



SECTION C-C



PRE-LOADED ASSEMBLY



FINAL ASSEMBLY

HOUSING PART NO. 70066-****
MATERIAL: G.F. POLYESTER, 94V-0

TERMINAL PART NO. 70028-****
MATERIAL: PHOSPHOR BRONZE
PLATING PER ES-88-***

15 GOLD - .000015 MIN. GOLD IN SELECT AREA WITH .000075 MIN. TIN IN SELECT AREA OVER .000050 MIN. NICKEL OVER-ALL.

*THE PRIMARY SHIPPING CARTON WILL BE LABELED "COMPLIANT TO ROHS DIRECTIVE 2002/95/EC AND ELV ANNEX II OF DIRECTIVE 2000/53/EC". CARTONS WITHOUT THIS LABEL MAY CONTAIN PRODUCT WITH LEAD.

I.D. SLOT CODE TO WIRE GAUGE CHART	
I.D. SLOT CODE	WIRE GAUGE
A	24 AWG.

PLATING CODE (STRIPE ON CARRIER STRIP)	
PLATING	COLOR
15 GOLD	YELLOW

CKT. SIZE	DIMENSIONS (INCH)		EDP. NO.	ENG. NO.
	A	B		
2	(2.54) .100	(5.05) .199	14-56-2021	A-70400-0526
3	(5.08) .200	(7.59) .299	14-56-2031	A-70400-0527
4	(7.62) .300	(10.13) .399	14-56-2041	A-70400-0528
5	(10.16) .400	(12.67) .499	14-56-2051	A-70400-0529
6	(12.70) .500	(15.21) .599	14-56-2061	A-70400-0530
7	(15.24) .600	(17.75) .699	14-56-2071	A-70400-0531
8	(17.78) .700	(20.29) .799	14-56-2081	A-70400-0532
9	(20.32) .800	(22.83) .899	14-56-2091	A-70400-0533
10	(22.86) .900	(25.37) .999	14-56-2101	A-70400-0534
11	(25.54) 1.000	(27.91) 1.099	14-56-2111	A-70400-0535
12	(27.94) 1.100	(30.45) 1.199	14-56-2121	A-70400-0536
13	(30.48) 1.200	(32.99) 1.299	14-56-2131	A-70400-0537
14	(33.02) 1.300	(35.53) 1.399	14-56-2141	A-70400-0538
15	(35.56) 1.400	(38.07) 1.499	14-56-2151	A-70400-0539
16	(38.01) 1.500	(40.61) 1.599	14-56-2161	A-70400-0540
17	(40.64) 1.600	(43.15) 1.699	14-56-2171	A-70400-0541
18	(43.18) 1.700	(45.69) 1.799	14-56-2181	A-70400-0542
19	(45.72) 1.800	(48.23) 1.899	14-56-2191	A-70400-0543
20	(48.26) 1.900	(50.77) 1.999	14-56-2201	A-70400-0544
21	(50.80) 2.000	(53.31) 2.099	14-56-2211	A-70400-0545
22	(53.34) 2.100	(55.85) 2.199	14-56-2221	A-70400-0546
23	(55.88) 2.200	(58.39) 2.299	14-56-2231	A-70400-0547
24	(58.42) 2.300	(60.93) 2.399	14-56-2241	A-70400-0548
25	(60.96) 2.400	(63.47) 2.499	14-56-2251	A-70400-0549

I.D. SLOT CODE TO WIRE GAUGE CHART	
I.D. SLOT CODE	WIRE GAUGE
A	24 AWG.

PLATING CODE (STRIPE ON CARRIER STRIP)	
PLATING	COLOR
15 GOLD	YELLOW

DIMENSIONS SHOWN (METRIC) INCH	
UNLESS OTHERWISE SPECIFIED TOLERANCES: ANGULAR ± 1/2°	
3 PLACE	INCH METRIC
± .010	---
± .014	± 0.25
---	± 0.35

DRAWING INFORMATION	
REVISED PER	DATE
E	10-17-88
D	2/3/88
C	5/8/86

MFG. SH. REV.	
REVISE ONLY ON CAD SYSTEM	
TITLE: ASSEMBLY, SL CONNECTOR (SINGLE ROW- (2.54)/.100 GRID)	
MOLEX INCORPORATED, SHEET NO. 10/09/84	
PART NO. SDA-70400-0526-0549	
SEE CHART	
THIS DRAWING CONTAINS INFORMATION THAT IS PROPRIETARY TO MOLEX INC. AND SHOULD NOT BE USED WITHOUT WRITTEN PERMISSION.	

REVISIONS	
LT.	REVISIONS

DRAWING INFORMATION	
DRWG. BY	CHK'D. BY
WAZ	WAZ
SCALE	4:1

MFG. SH. REV.	
REVISE ONLY ON CAD SYSTEM	
TITLE: ASSEMBLY, SL CONNECTOR (SINGLE ROW- (2.54)/.100 GRID)	
MOLEX INCORPORATED, SHEET NO. 10/09/84	
PART NO. SDA-70400-0526-0549	
SEE CHART	
THIS DRAWING CONTAINS INFORMATION THAT IS PROPRIETARY TO MOLEX INC. AND SHOULD NOT BE USED WITHOUT WRITTEN PERMISSION.	